

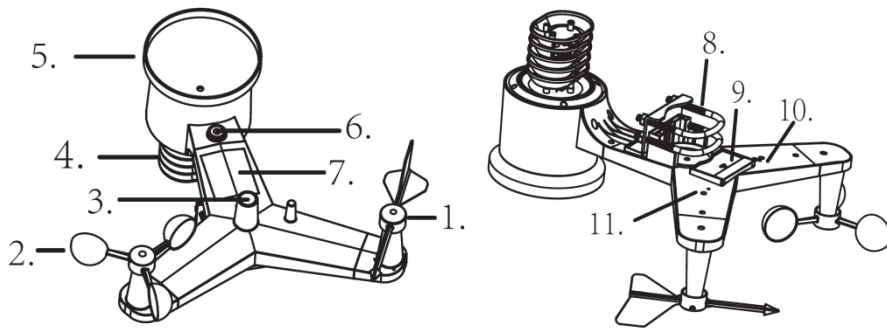
Y All-In-One Outdoor Unit

Manual EN

froggit.de

Support/updates/manuals/spare
parts:

www.froggit.de



1. Wind Vane
2. Wind Speed Sensor
3. UV sensor/ Light sensor
4. Thermo-hygro sensor
5. Rain collector
6. Bubble level
7. Solar panel
8. U-Bolt
9. Battery compartment
10. Reset button
11. LED Indicator: light on for 4s if the unit power up. Then the LED will flash once every 16 seconds (the sensor transmission update period).

Install U-bolts and mounting pole

Installation of the U-bolts, which are in turn used to mount the sensor package on a pole, requires installation of an included metal plate to receive the U-bolt ends. The metal plate, visible in as four holes through which the ends of the two U-Bolts will fit. The plate itself is inserted in a groove on the bottom of the unit (opposite side of solar panel). Note that one side of the plate has a straight edge (which goes into the groove), the other side is bent at a 90-degree angle and has a curved profile (which will end up “hugging” the mounting pole). Once the metal plate is inserted, remove nuts from the U-Bolts and insert both U-bolts through the respective holes of the metal plate as shown in Figure 8.

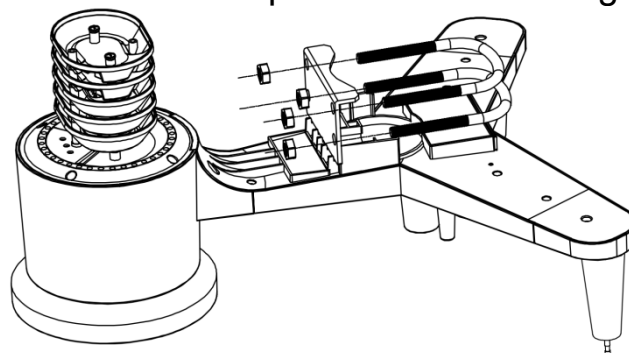


Figure 1

Loosely screw on the nuts on the ends of the U-bolts. You will tighten

these later during final mounting. Final assembly is shown in Figure 9.

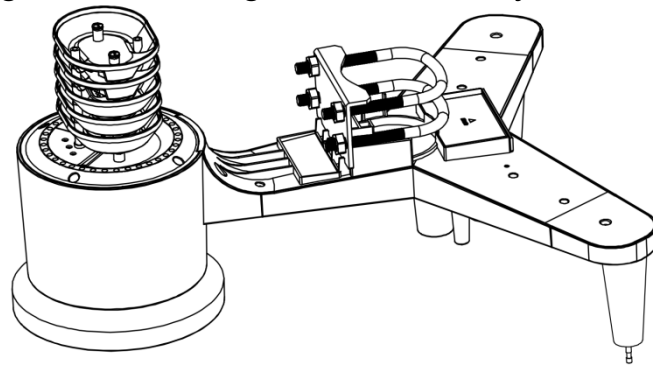


Figure 2

The plate and U-Bolts are not yet needed at this stage but doing this now may help avoid damaging wind vane and wind speed cups later on.

Install wind vane

Push the wind vane onto the shaft on the top of the sensor, until it stop moving further, as shown in figure 3.

Tighten the set screw, with a Philips screw driver(size PH0), until the wind van cannot be removed from the axle, as shown in figure 4. Make sure the wind vane spin freely. The wind vane's movement has a small amount of friction, which is helpful in providing steady wind direction measurements.

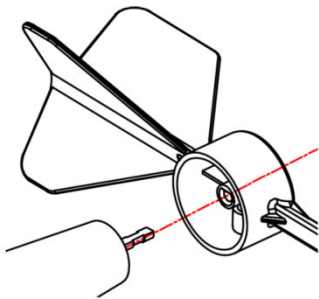


Figure 3

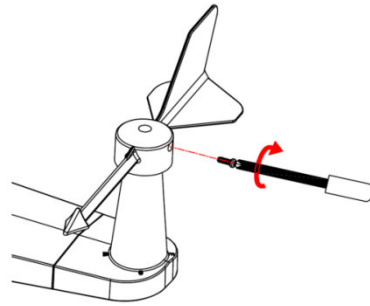


Figure 4

There are four alphabet letter of "N", "E", "S" and "W" around the wind direction, representing for the direction of North, East, South and West. Wind direction sensor has to be adjusted so that the directions on the sensor are matching with your real location. Permanent wind direction error will be installation. when the wind direction sensor is not positioned correctly during installation.

Install wind speed

Push the wind speed into the shaft as shown in figure 5.

Tighten the set screw with as shown in figure 5. Make sure the wind speed can spin freely.

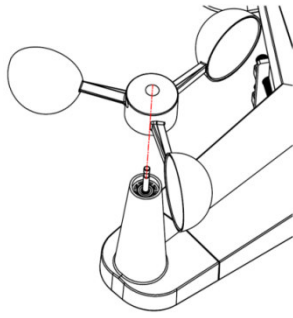


Figure 5

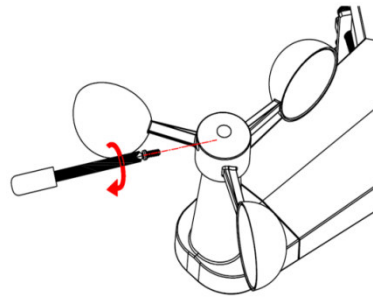
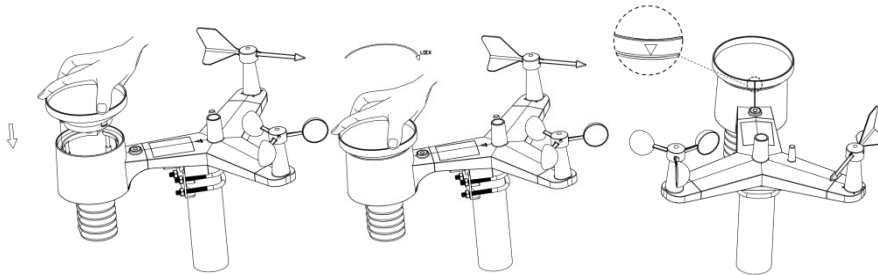


Figure 6

Install Rain Gauge

Keep the Indication mark in straight line. As show below photo.



Install Batteries

Insert 2XAA batteries in the battery compartment. The LED indicator on the back of the transmitter will turn on for four seconds and normally flash once every 16 seconds (the sensor transmission update period).

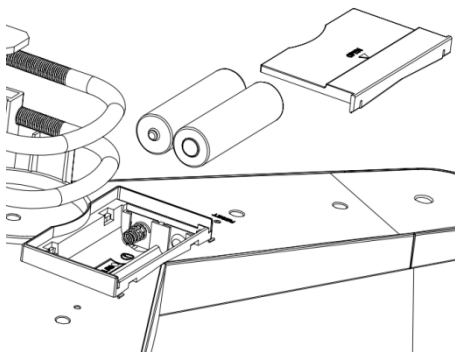


Figure 7

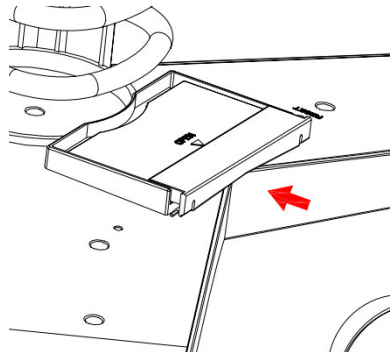


Figure 8

Note: If no LED light up or is permanently on, make sure the batteries are inserted the correct way or a proper reset has happened. Do not install the batteries backwards. You can permanently damage the outdoor sensor

Note: We recommend 1.5V lithium batteries for cold weather climates, but alkaline batteries are enough for most climates. We do not recommend rechargeable batteries. They have lower voltages, they do not operate well at wide temperature ranges, and do not last as long, resulting in poorer reception.

Mount assembled outdoor sensor package

Before you mount

Before proceeding with the outdoor mounting detailed in this section, you may want to skip to setup instructions in section **Fehler! Verweisquelle konnte nicht gefunden werden.** and onwards first, while you keep the assembled outdoor sensor package nearby (although preferably not closer than 5 ft. from the console). This will make any troubleshooting and adjustments easier and avoids any distance or interference related issues from the setup.

After setup is complete and everything is working, return here for outdoor mounting. If issues show up after outdoor mounting they are almost certainly related to distance, obstacles etc.

Mounting

You can attach a pipe to a permanent structure and then attach the sensor package to it (see Figure 9). The U-Bolts will accommodate a pipe diameter of 1-2 inches (pipe not included).

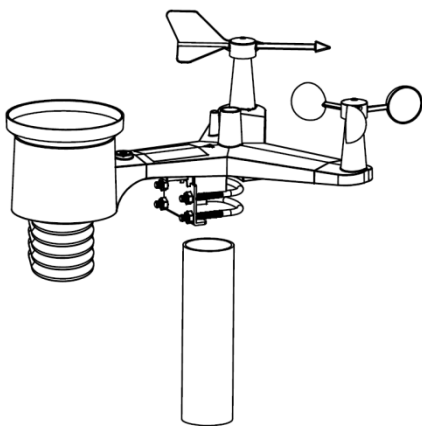


Figure 9

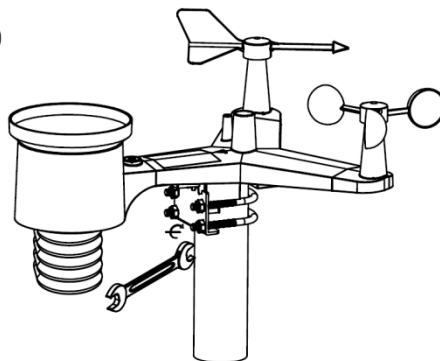


Figure 10

Finally, place the sensor package on top of the prepared mounting pipe. The U-Bolts should be loose enough to allow this but loosen the nuts as necessary. Once placed, hand tighten all four nuts, taking care to do so evenly.

Now you will need to align the whole package in the proper direction by rotating it on top of the mounting pipe as needed. Locate the arrow labeled "North" that you will find on top of the sensor package right next to the light sensor. You must rotate the whole sensor package until this arrow points due north. To achieve proper alignment, it is helpful to use a compass (many cell phones have a compass application).

Once rotated in the correct orientation, lightly tighten the bolts a little

more (use a wrench) to prevent further rotation.

Note: Use the bubble level next to the rain sensor to make sure sensor array is completely level. If the sensor is not level, the rain gauge, UV and solar radiation sensors will not measure properly.

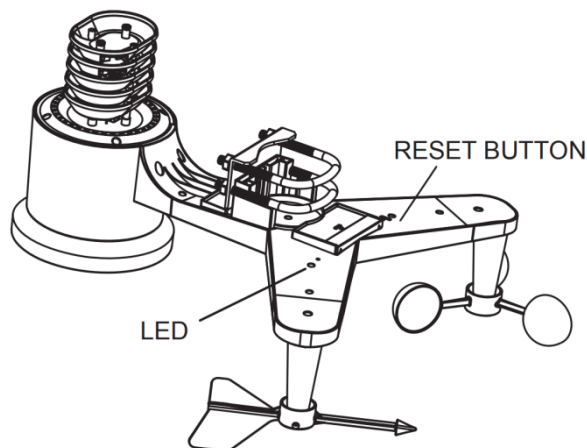
Reset Button and Transmitter LED

In the event that the sensor array is not transmitting, reset the sensor array.

With an open ended paperclip, press and hold the **RESET BUTTON** for three seconds to completely discharge the voltage.

Take out the batteries and wait one minute, while covering the solar panel to drain the voltage.

Put batteries back in and resynchronize with console by powering down and up the console with the sensor array about 3 meter away.



Caution !

This booklet may contain errors or misprints. The information is regularly checked and corrections are included in subsequent editions.

We disclaim any responsibility for any printing error, or their consequences.

The specification of this product may change without prior notice.

General safety instructions

Danger of asphyxiation:

Keep all packaging materials (plastic bags, rubber bands, etc.) away from children. There is a danger of suffocation!

Danger of burns:

Caution! Leaking / leaking battery acid can lead to burns! Avoid contact of battery acid with eyes, mucous membranes and skin. In case of contact, rinse the affected areas immediately with clear water and consult a doctor.

Risk of electric shock:

Children must not be unattended with the device, because the device contains electronic parts which are operated by means of a power source. The device may only be used as described in the instructions. If not, there is a risk of electric shock.

Danger of fire & explosion:

Use only recommended batteries. Never short-circuit the unit or batteries. Never throw the device or batteries into a fire! Overheating and improper handling may result in short circuits which can cause fires and explosions.

Important:

If there is a defect, contact your dealer immediately. Never disassemble the device! The dealer will contact the service department. Never expose the device to water! Protect the device from vibrations. Only use recommended batteries. Never mix batteries - Always replace empty batteries with a complete set of full power batteries. If the unit is not powered for a longer period of time or is not in use, remove the batteries from the unit. The manufacturer accepts no liability for incorrectly inserted batteries!



Notes on the return of batteries according to §12 BatterieVO: Batteries do not belong in the household waste. Please dispose of all batteries as required by law, disposal in domestic waste is expressly prohibited. Batteries and rechargeable batteries can be dispensed free of charge at municipal collection points or in the shops on the spot.

This manual may not be reproduced in any form without the written permission of the publisher, even in excerpts.

This manual may contain errors and misprints. However, the information in this manual is regularly reviewed and corrections made in the next issue. We accept no liability for technical errors or printing errors, and their consequences.

All trademarks and copyrights are acknowledged.

www.froggit.de



HS Group GmbH & Co. KG

Escherstr.31

50733 Koeln

Germany

Telefon 0221 / 367 48 05

E-Mail info@hs-group.de

Registergericht Amtsgericht Koeln

HRA 26493

Komplementaer: HS Group

Verwaltungsgesellschaft mbH

Sitz Koeln

Registergericht Amtsgericht Koeln

HRB 64734

Geschaeftsfuehrer: Peter Haefele,

Carl Schulte

UStld DE237971721

WEEE Reg. Nr. 66110125

declaration of conformity

Hereby we declare, HS-Group GmbH & Co.KG, Escherstr. 31, 50733 D-Cologne, that this product is in compliance with the essential requirements and other relevant provisions of Directive 2014/53/EU.

The declaration of conformity for this product can be found at: www.froggit.de or on request.